

## TSG Series - LED Retail Track System

-  Merchandisers love track lighting; High intensity MR16's, T-Metal Halide, PAR Halogens.

  - Maintenance budgets hate it.
-  Spot lighting that makes your produce "pop" and delivers 3 to 1 contrast ratios is the Merchandiser's ideal.

  - Produce managers hate the product shrinkage related to the heat and UV.
-  Store managers want the sales driven by good lighting design.

  - They hate paying the electricity bill.
-  We Get It.

  - You can make them all happy. Relight with the TSG LED track system.
  - Low energy costs
  - Virtually no maintenance costs
  - Low Heat
  - No UV
  - Reduced fading and aging of fresh foods.
-  Why P2? It's Simple. Our Experience.

  - Properly deployed, and aimed at commercially viable applications, LED is a valuable light source.
  - Improperly deployed on your project, it can be a nightmare that damages your credibility with your customer.
  - Our team of application experts and engineers have the tools and experience to deliver on the promise of LED.

### TSG - Retail LED



### Application



### TSG - 14W - MD25 - 35k - 90 - UL - NS - TM3A - BB

TSG	14W	MD25	35k	90	UL	NS	TM3A	BB	
Fixture Series	Input Watts	Primary Optics	Color Temp	CRI	Voltage	Pendant	Mounting	Fixture Finish	Other

Fixture Series

TSG = LED Track Head

Input Watts

14W = 14 Watt

Primary Optics

SP18 = 18 Deg Spot

MD25 = 25 Deg Med

FL35 = 35 Deg Flood

Voltage

UL = 120 through 277 volt

Color Temperature

35K = 3500 Kelvin  
42K = 4200 Kelvin

CRI

70 = 70+CRI  
90 = 90+CRI

Pendant

NS = No Stem

P18 = 18" Pendant

P29 = 26" Pendant

Mounting

TM3A = Global Trac Adaptor

JB = 4x4 Round J-Box

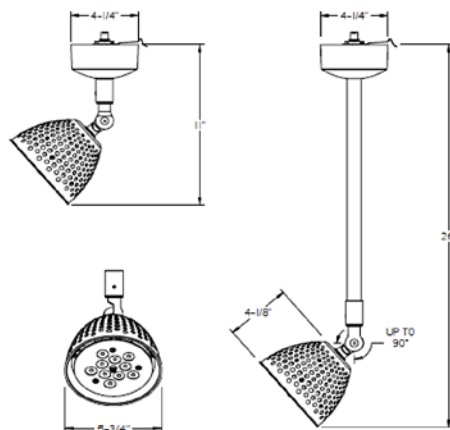
Fixture Finish

BB = Black

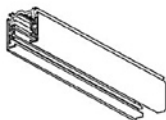
BW = White

ZT = Metallic Silver

## TSG Series - LED Retail Track System



TM3 - 3  
Circuit Track



TGC - Type  
G Grid Clip



C2180 - Straight  
Connector



C490 - Intersect  
Connector



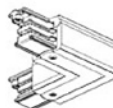
TM3A - 3 Circuit  
Track Adaptor



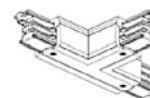
TM3 - End Cap




C290 - Corner  
Connector



C390 - Tee  
Connector



### TSG vs. Traditional Track Light - Operating Cost Comparison

Load Light System	Input Watts	Rated Lamp Life (Hours)	Average Annual Cost of Operation			Average Annual Cost	Annual Savings Per Fixture
			Energy Cost	Maint Cost	Total Cost		
75MR16	75	6,000	\$59	\$32	\$91	\$103	 <b>\$88</b>
90PAR - HAL	90	5,000	\$71	\$38	\$109		
MCP70 - TMH	94	12,000	\$74	\$35	\$109		
TSG - 14 Watt LED	14	100,000	\$11	\$-	\$11	\$15	
TSG - 25 Watt LED	25	140,000	\$20	\$-	\$20		

#### General Notes

- 1) All operating cost estimates are for general illustrative purposes. Actual values will vary on a site specific basis.
- 2) Annual maintenance and energy costs are estimated based upon 5,824 annual operating hours per year, for ten years.
- 3) Energy costs are based upon \$0.13.5 cents per kWh, maintenance cost estimates include lamps, ballasts and labor.