

CKB – Strip to Basket Conversion

Modern Look, Modest Price, High Performance.

- The CKB strip to basket conversion embodies the P2 tagline of Efficiency, Economy, and Sustainability.
- Efficiency: In addition to the latest energy efficient lighting components, adding optical control to an open strip fixture optimizes the illuminated environment.
- Economy: Low cost, labor saving conversion provides high aesthetic appeal at a fraction of the cost of new fixtures.
- Sustainability: Recycled aluminum construction, bulk packaging reduces job site waste, converting existing fixture rather than replacing reduces landfill.

Why P2? It's Simple, Our Experience

- Most people look at a hallway or classroom full of T12 open strip fixtures and see something to be discarded and replaced. We've been creating engineered to order energy efficient conversion kits since 1991, so we see an opportunity to improve what exists at a fraction of the cost of replacement, while preserving our valuable natural resources, and reducing landfill waste.

CKB Strip to Basket Conversion



Application

- Suitable for variety educational, institutional, healthcare, government, and general applications.
- Hallways
- Classrooms
- Auditoriums
- Retail

CKB – 1x4 – PMB – 2L – T8 – UL1 – LP – IS – UE

CKB	1X4	PMB	2L	T8	UL1	LP	IS	UE	
Model	Fixt Size	Basket Type	Lamp Quantity	Lamp Type	Voltage	Ballast Factor	Ballast Starting	T8 Ballast Grade	Other

Fixture Series

CKB = Strip to Basket Kit

Fixture Size

1x4 = 1x4 Nominal
1x8 = 1x8 Nominal

Lamp Qty

2L = Two Lamp
4L = Four Lamp

Lamp Type

T8 = Linear T8 Lamps

Basket Type

PMB = Perforated Metal Basket
SMB = Slotted Metal Basket

Voltage (1)

UL1 = Universal 120-277
UL2 = Universal 120-277

Ballast Factor (2)

XL = Ultra Low Power (.62 - .66)
LP = Low Power (.75 - .78)
MP = Mid Power (.85 - .88)
MN = Neutral Power (.97 - 1.04)
HP = High Power (1.15 - 1.20)

Ballast Starting Method

PS = Programmed Start
IS = Instant Start
PSD = Program Start Step Dimming
ISD = Instant Start Step Dimming
PVD = Program Start
0-10v Variable Dim
IVD = Instant Start 0-10v Variable Dim

T8 Ballast Grade

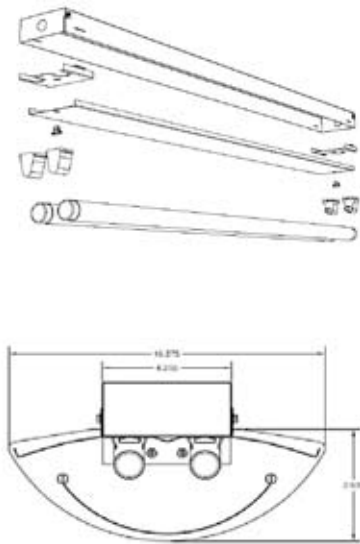
ST = Standard Grade
UE = Ultra Efficient T8

Numeric Footnotes

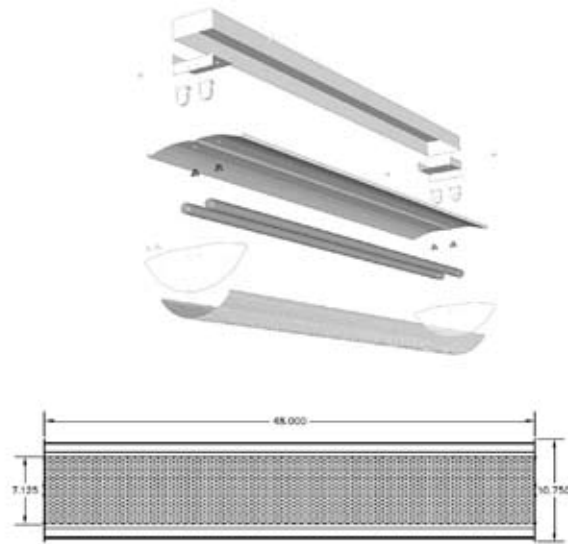
- (1) Numeral indicates number ballasts per fixture.
- (2) Ballast factors outside ranges shown to be called out numerically.
- (3) If SB or EB is requested, purchaser must identify the ballast manufacturer and the catalog number.

CKB – Strip to Basket Conversion

Before: T12 Strip



After: 2L T8 Indirect



Existing System

Existing Lamp / Ballast System	Lamp Quantity & Type	Mean Lumens Per Lamp	Mean Lumens Per Fixture	Ballast Factor	Net Lumens Per Fixture	Input Watts	Net Lumens Per Watt
2L40-T12 Mag	2 F40/T12/WM	2,280	4,560	0.88	4,013	72	56
4L40-T12 Mag	4 F40/T12/WM	2,280	9,120	0.88	8,026	144	56
1L96-T12 Mag	1 F96/T12/ES	4,750	4,750	0.88	4,180	76	55
2L96-T12 Mag	2 F96/T12/ES	4,750	9,500	0.88	8,360	126	66
1L96-T12HO Mag	1 F96/T12HO/ES	6,950	6,950	0.95	6,603	125	53
2L96-T12HO Mag	2 F96/T12HO/ES	6,950	13,900	0.93	12,927	210	62

Re-Lighting Options

Proposed Lamp / Ballast System	Lamp Quantity & Type	Mean Lumens Per Lamp	Mean Lumens Per Fixture	Ballast Factor	Net Lumens Per Fixture	Input Watts	Net Lumens Per Watt
2L32-T8-LP Elec	2 F32T8/841	2,800	5,600	0.77	4,312	48	90
2L32-T8-MP Elec	2 F32T8/841	2,800	5,600	0.87	4,872	53	92
2L32T8-HP Elec	2 F32T8/841	2,800	5,600	1.15	6,440	73	88
4L32-T8-LP Elec	4 F32T8/841	2,800	11,200	0.77	8,624	96	90
4L32-T8-MP Elec	4 F32T8/841	2,800	11,200	0.87	9,744	107	91
4L32T8-HP Elec	4 F32T8/841	2,800	11,200	1.15	12,880	147	88

General Notes

- Lamp/ballast system values shown are a general reference intended to supply a quick comparison of several common lamp/ballast systems, the associated energy consumption, and net lumen output.
- Values shown are based on normal operating temperatures (25c T8 and 35c T5) and at 277 volts.
- Fixture efficiency percentages are generally representative of each system type, actual values will vary.
- There are many operating variables that affect system output, in addition to rating variances from brand to brand.
- All T8 electronic ballast values shown are based on Ultra Efficient (aka 3rd Generation) T8 ballasts.
- All T5 and T8 lamp values shown are for basic grade lamps. Extended life and higher lumen lamps types are available.
- In addition to those shown there are a wide variety of systems to choose from, each with distinct features and cost points.
- Please consult the lamp/ballast manufacturer's catalogs for the detailed information required to model your system.